

Seed feed distribution

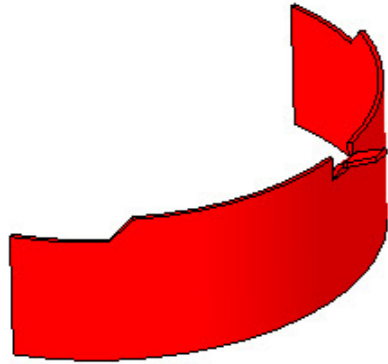
Plugs needed for the seed feed syst:

181713 12 (3 row shut off)

Note! Set tramline to disabled!

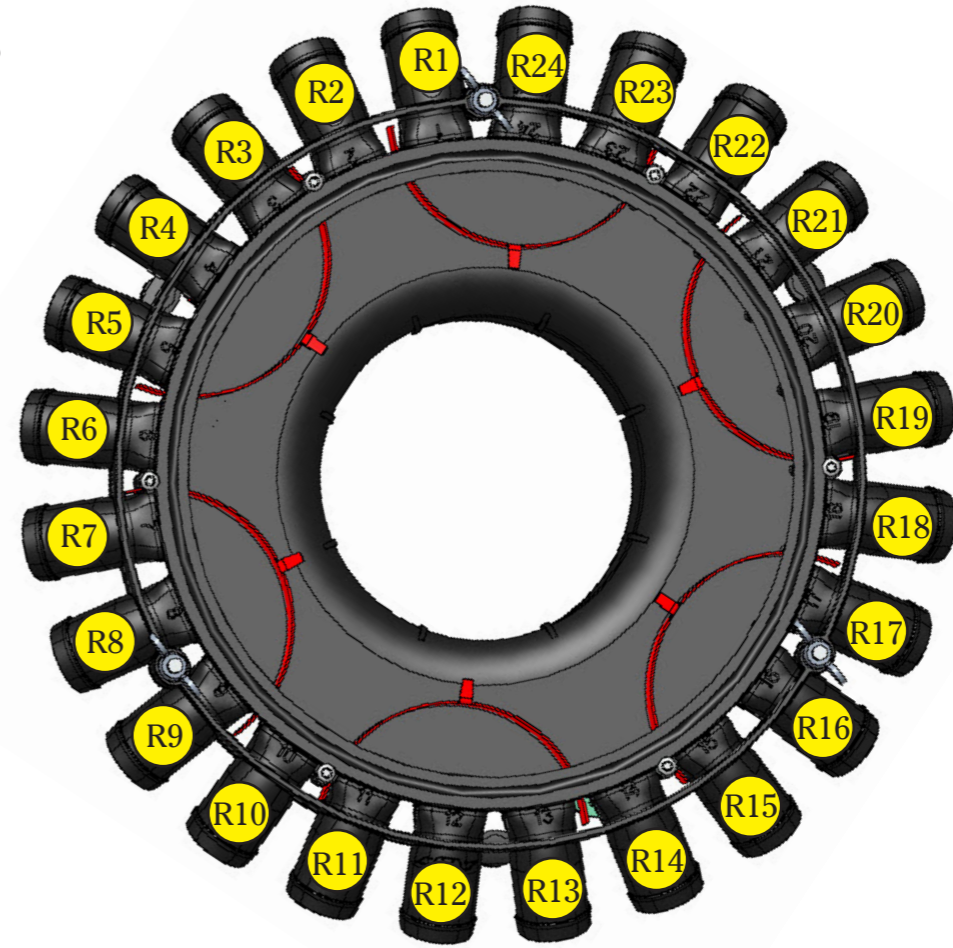
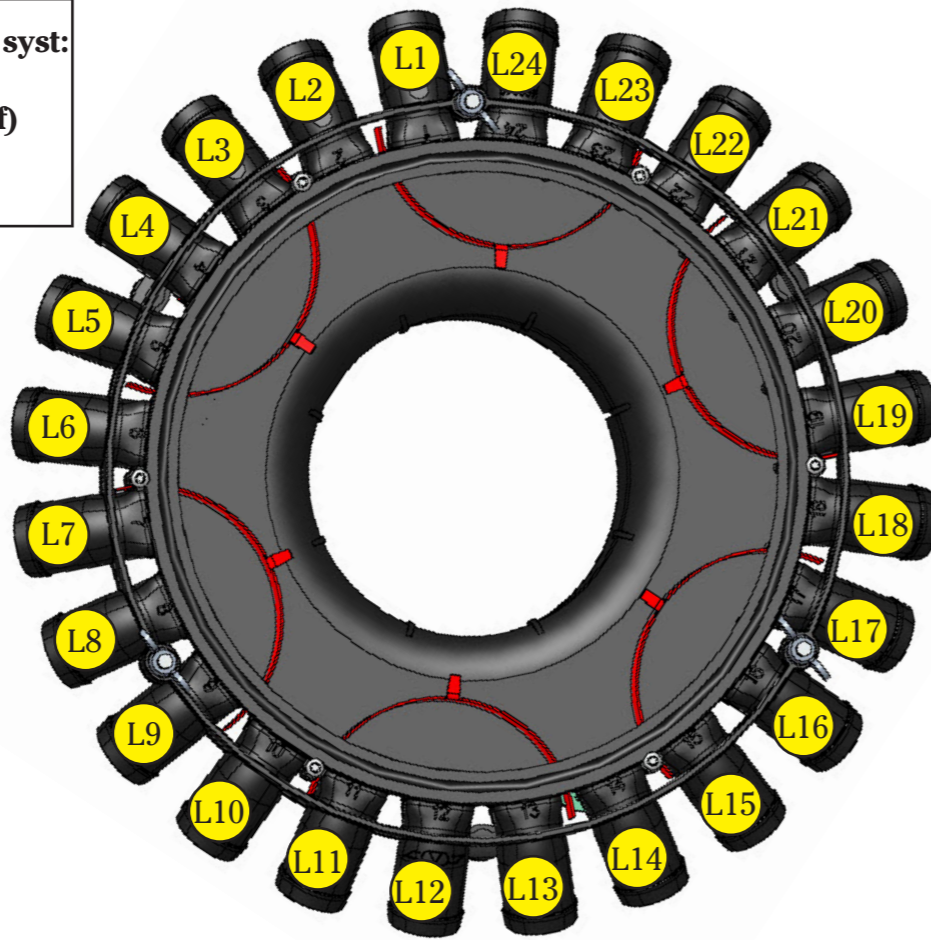
Every fourth row opened 500 mm

The machine will be offset because 2 row shut off on right side and 1 row shut off on the left.

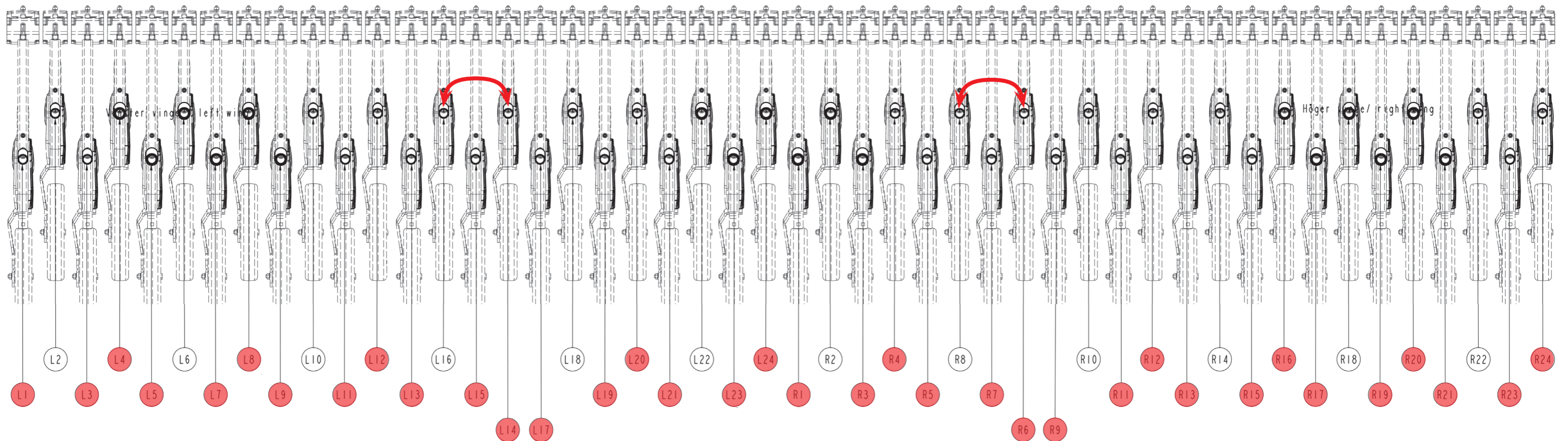


Spirit 600C

Plug set up 500 mm

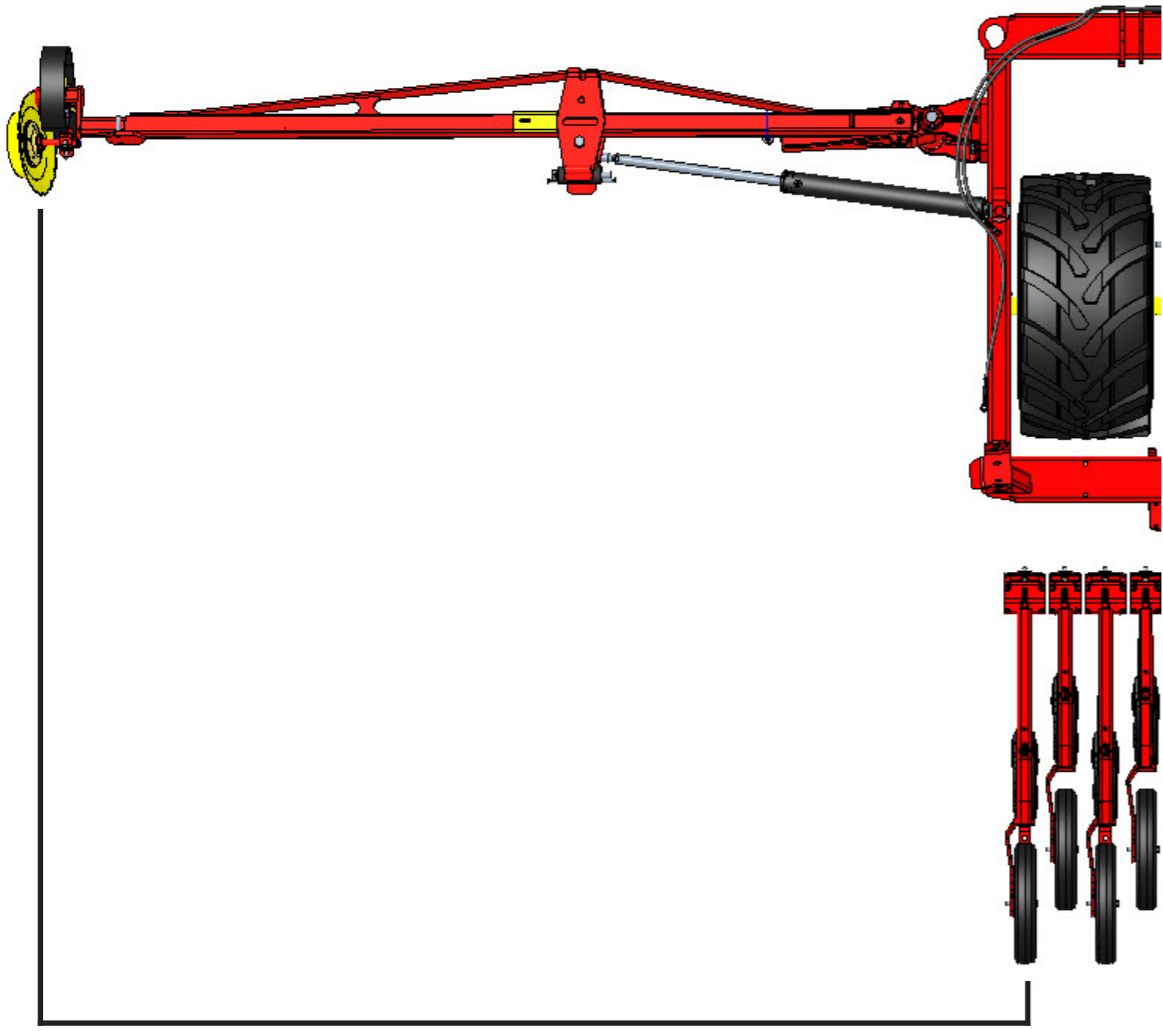


 = Change the hoses on the coulters!



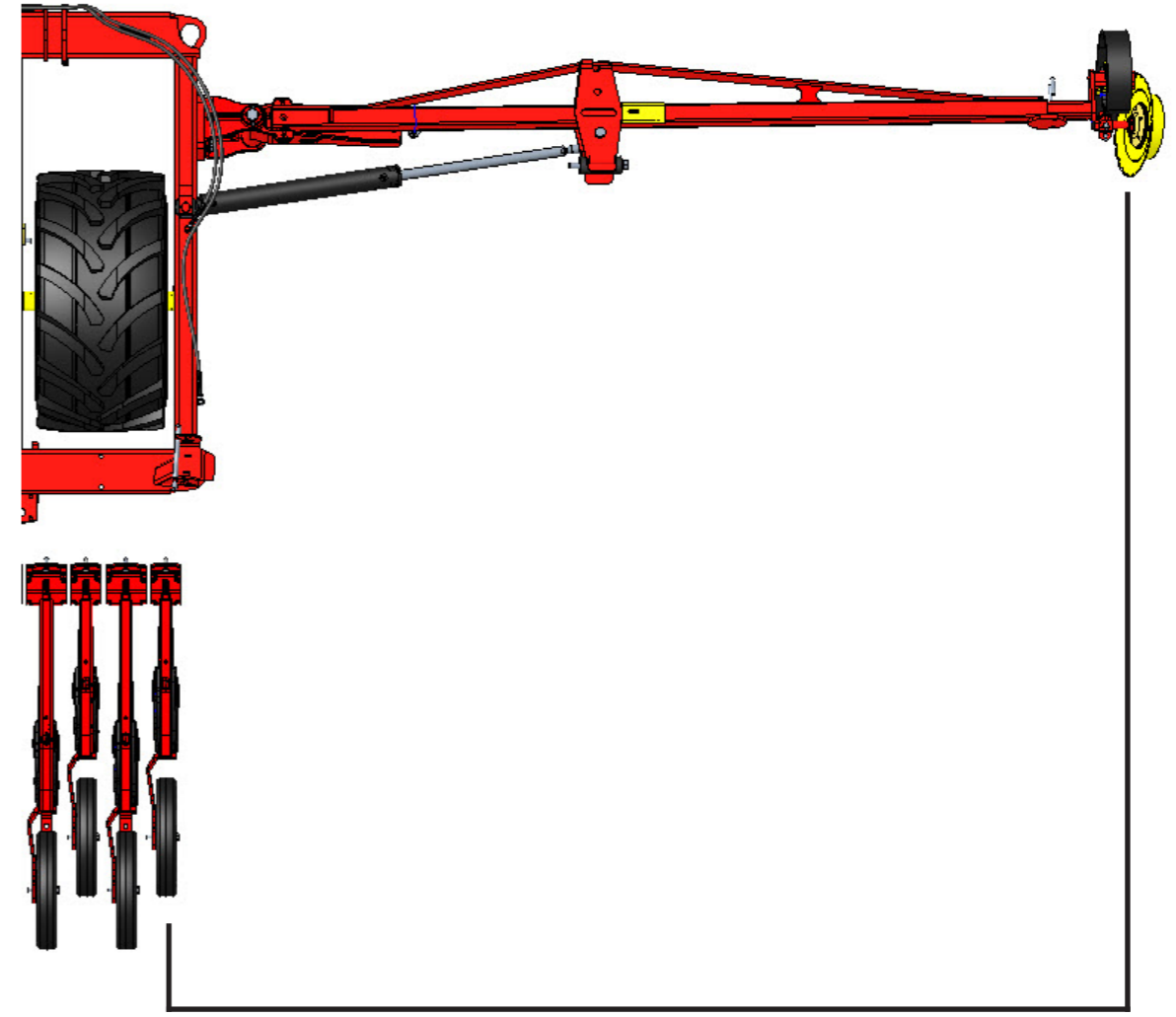
Marker arm settings

Left marker



3,18 m

Right marker



2,94 m