

Seed feed distribution

Plugs needed for the seed feed syst:

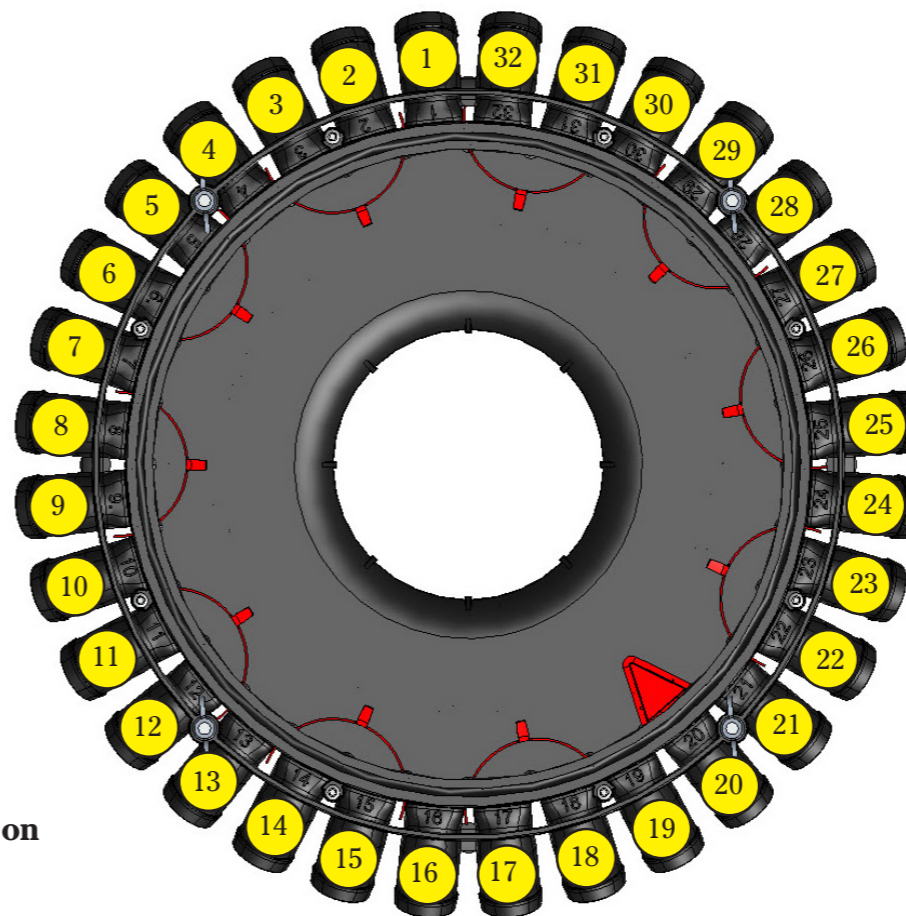
181712 10 (2 row shut off)
 185961 1 (1 row shut off)

Note! Set tramline to disabled!

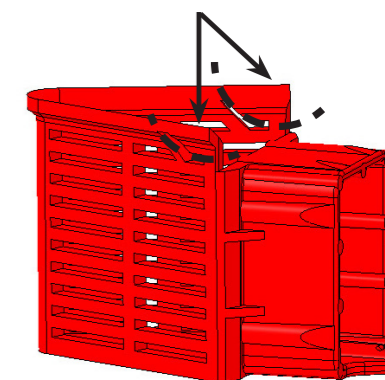
Settings:
 Machine width: 4,1 meter

Spirit 400

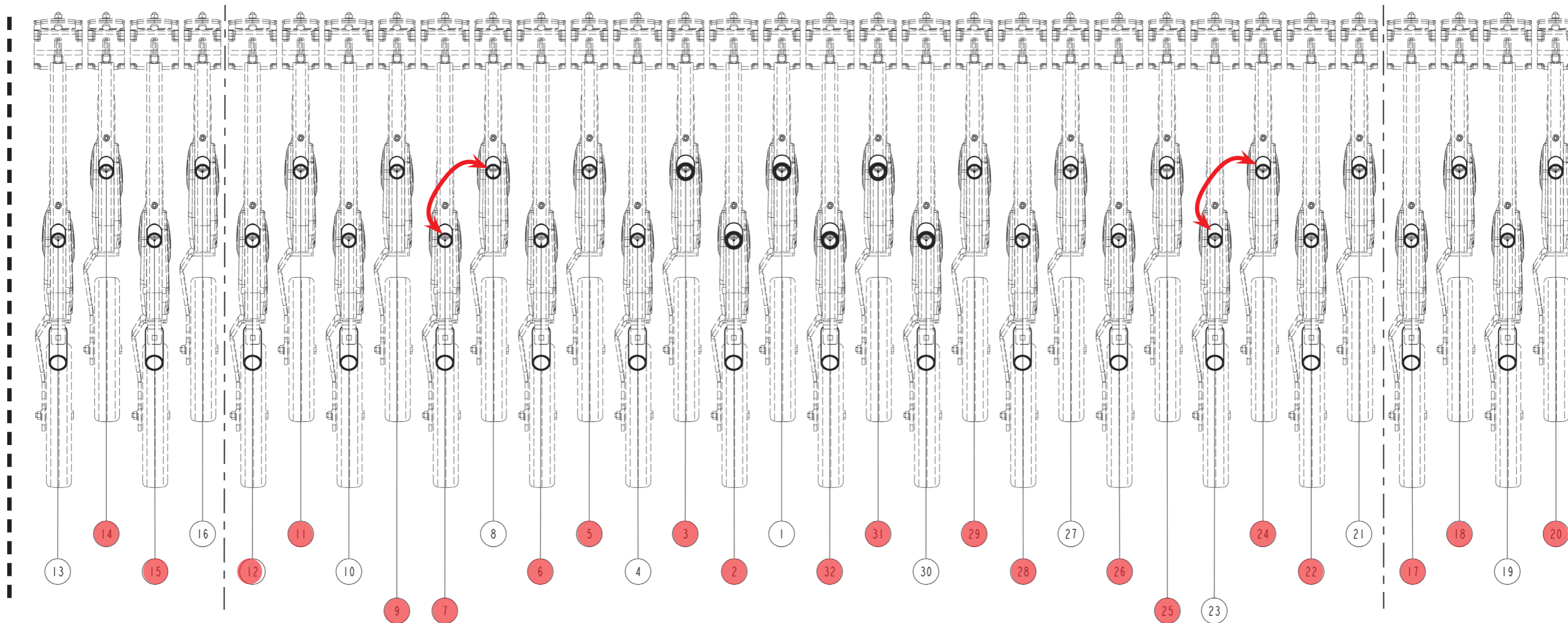
Plug set up
 1 open and 2 closed
 CC-375 mm



Cut the corners on 185961 to fit the lid.

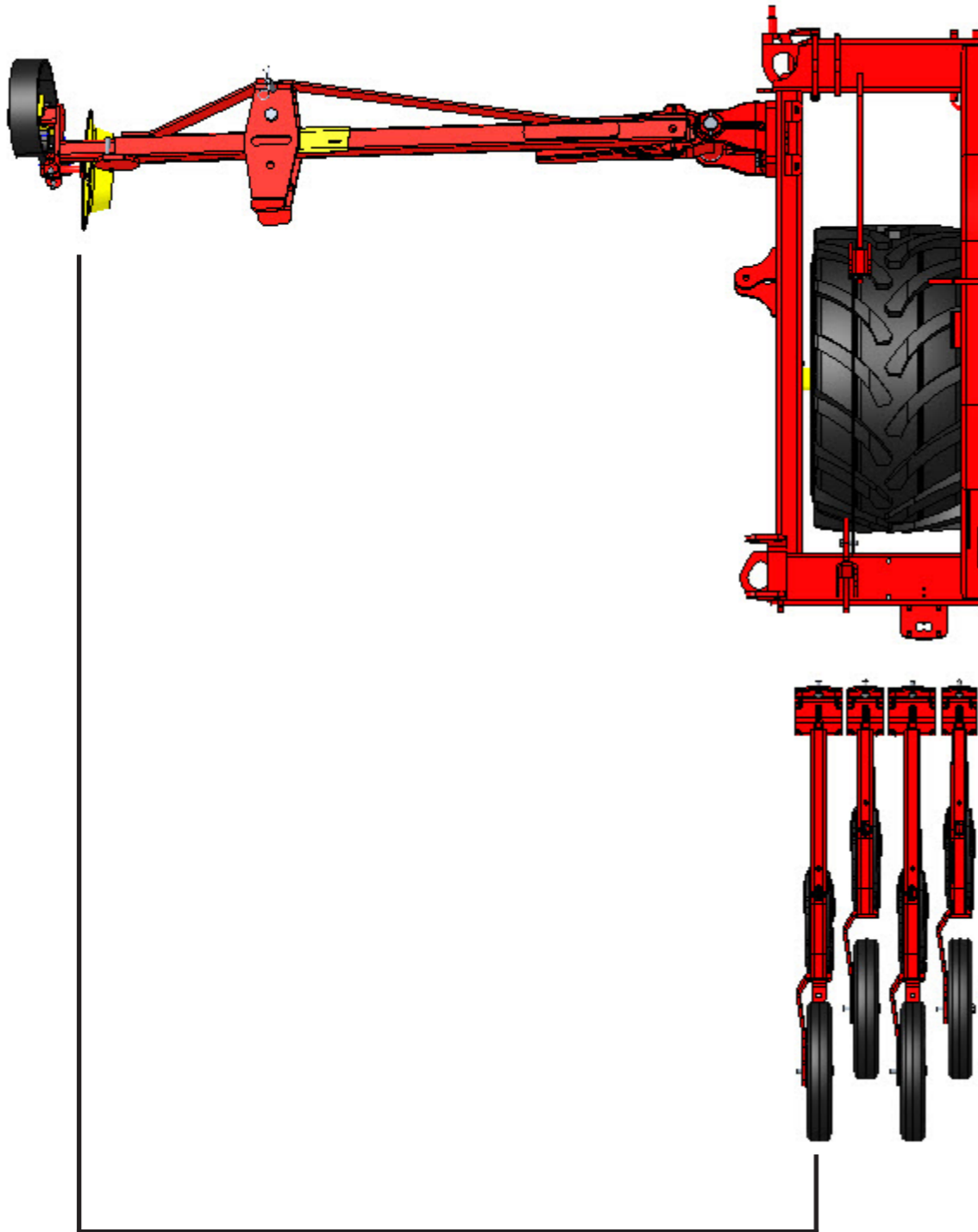


 = Change hoses on the coulters.



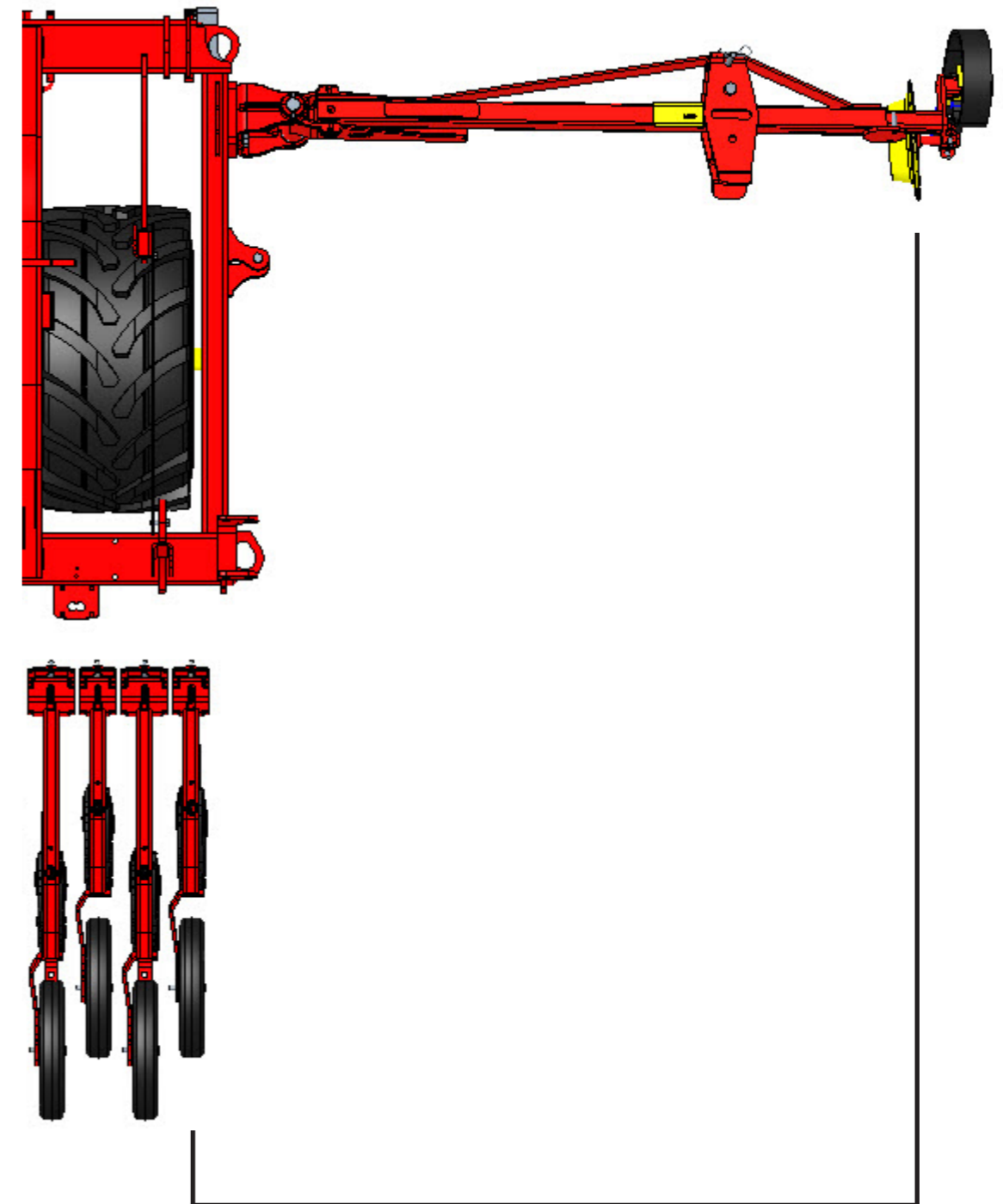
Marker arm settings

Left marker



2,31 m

Right marker



2,06 m