

# Seed feed distribution

# Spirit 900

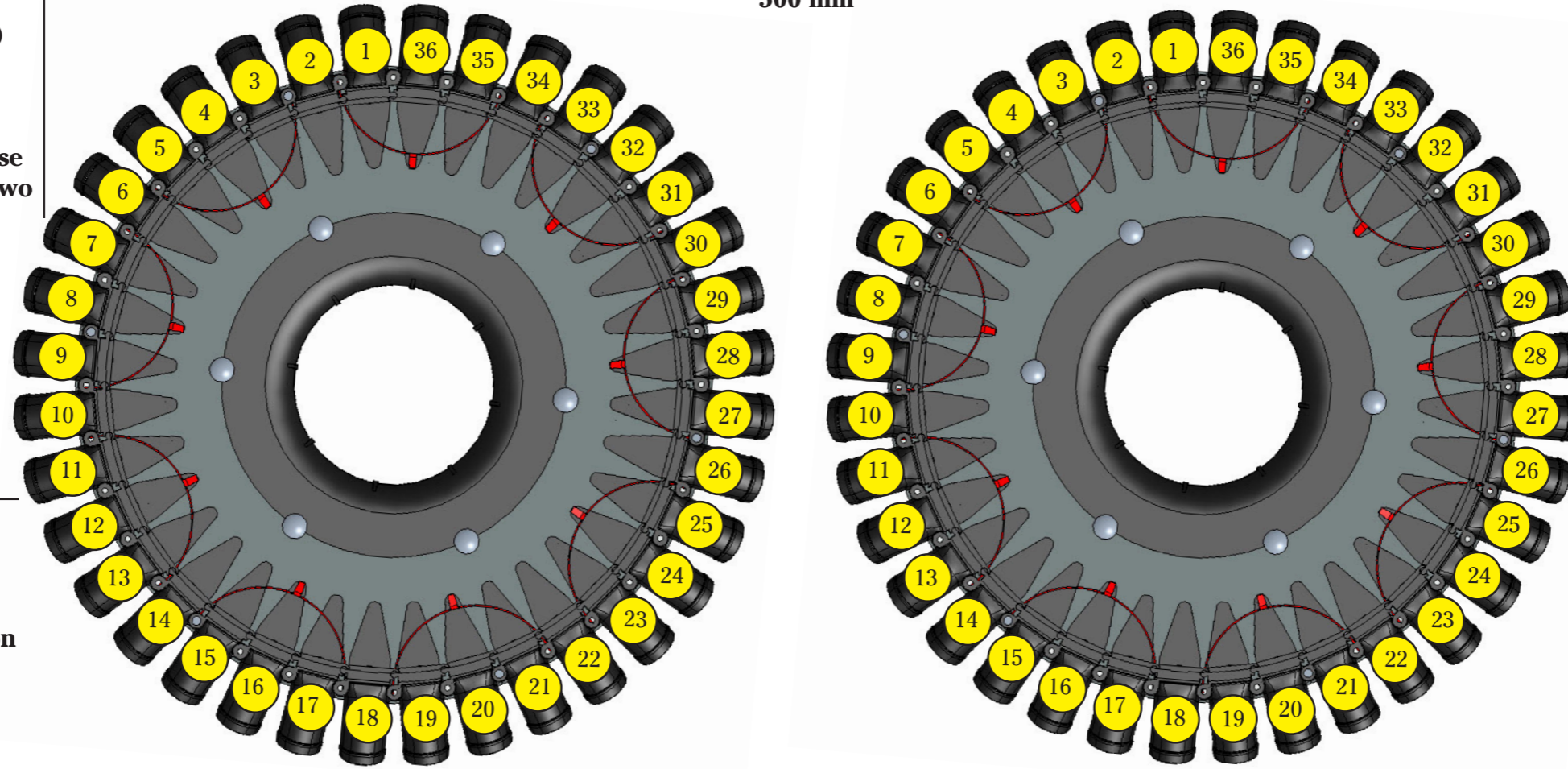
**Plugs needed for the seed feed syst:**

**181713      18 (3 row shut off)**

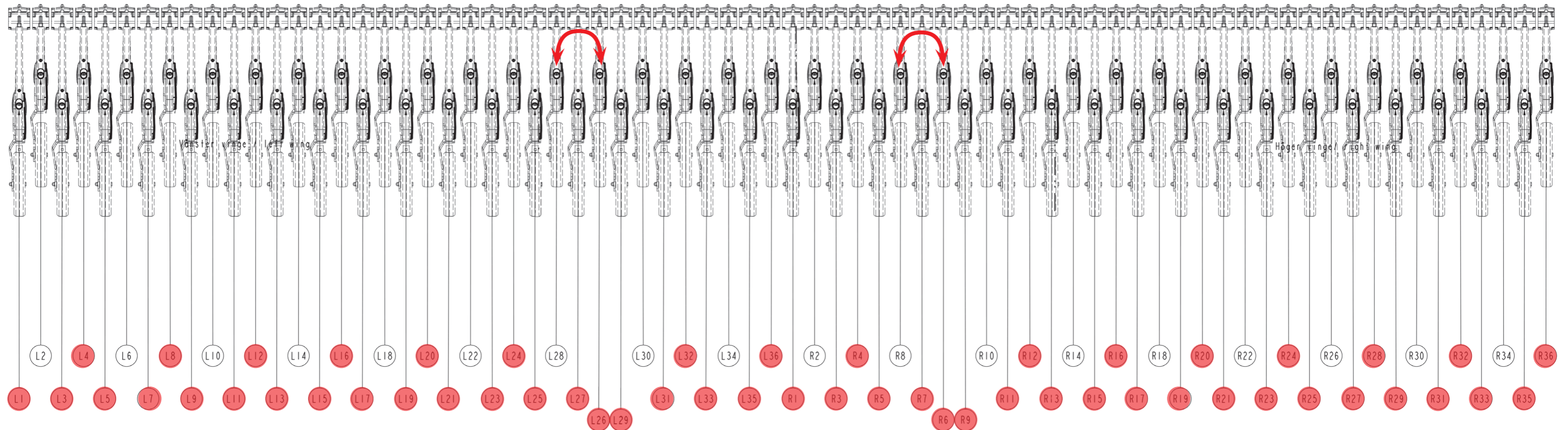
**Note! Set tramline to disabled!**

**The machine will be offset because 1 row shut off left side and two shut off on the right.**

**Plug set up  
500 mm**



 = Change the hoses on the coulters!

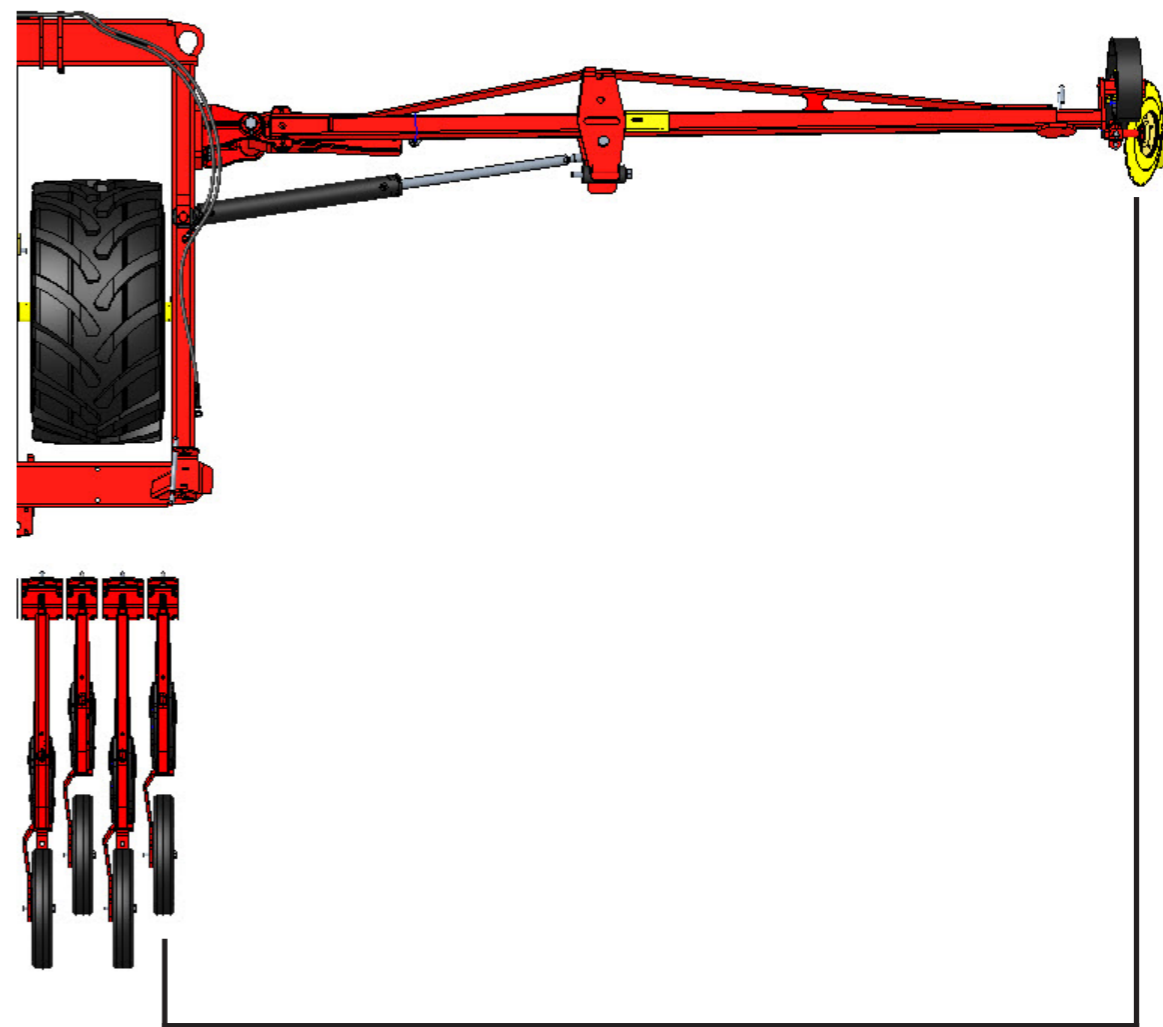


**Left marker**



**4,68 m**

**Right marker**



**4,44 m**